

DESCRIPTION

AMC MODEL NUMBER SWN-218-2DR-STANDARD OPTION: 905F, HISO IS A SP2T SWITCH DESIGNED FOR USE AT 9.5 GHz \pm 200MHz FREQUENCY RANGE, WITH 80 dB MINIMUM ISOLATION AND 2.5 dB MAXIMUM INSERTION LOSS.

SPECIFICATIONS

- FREQUENCY RANGE: 9.5 GHz \pm 200 MHz
- INSERTION LOSS: 2.5 dB MAXIMUM
- ISOLATION: 80 dB MINIMUM, 90 dB GOAL
- VSWR: 2.0:1
- DELAY ON: 250 nSec
- DELAY OFF: 250 nSec
- POWER INPUT: (CW) +20 dBm (STANDARD)
+10 dBm (HIGH SPEED)
- SURVIVAL POWER: 1 WATT CW, 10 WATTS PEAK 1 μ Sec
- CONTROL: TTL LOGIC "0" = J1-J2 ON
TTL LOGIC "1" = J1-J3 ON
- POWER SUPPLY: +5V @ 100 mA MAXIMUM
-5V @ 75 mA MAXIMUM

OPTIONS

- 905F: 9.5 GHz \pm 200 MHz
- HISO: HIGH ISOLATION

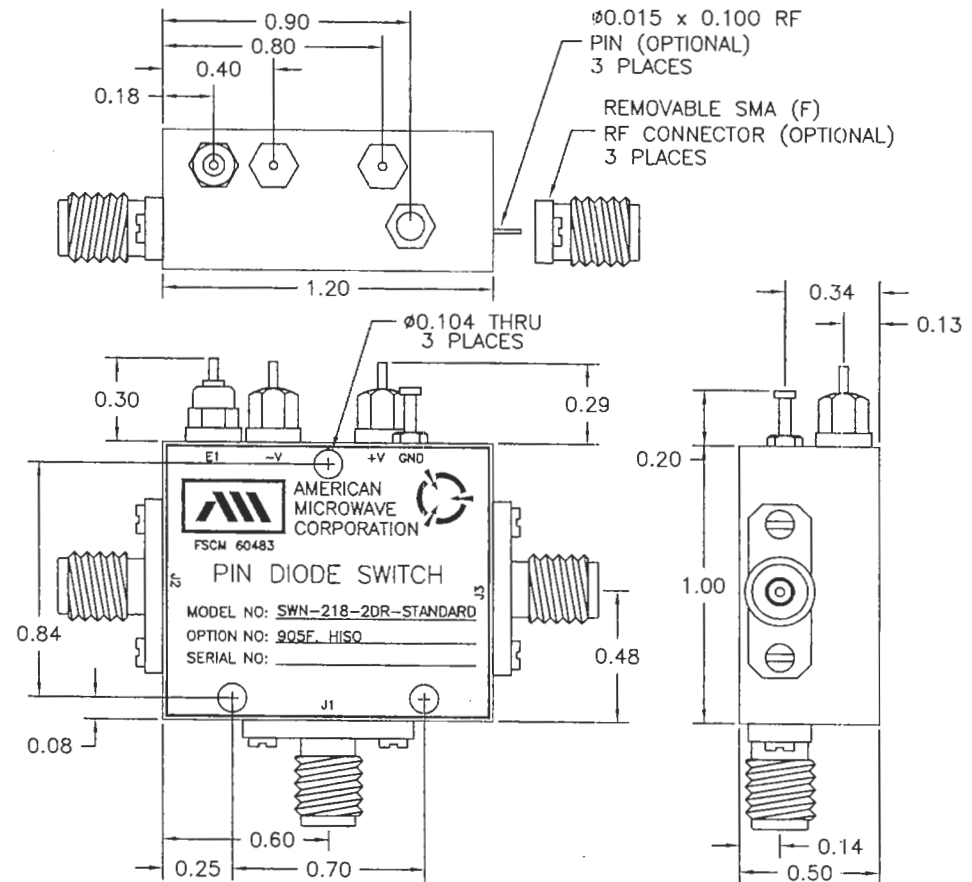
ENVIRONMENTAL RATINGS

- TEMPERATURE: -55°C TO +85°C (OPERATING)
-65°C TO +125°C (STORAGE)
- HUMIDITY: MIL-STD-202F, METHOD 103B COND. B
- SHOCK: MIL-STD-202F, METHOD 213B COND. B
- VIBRATION: MIL-STD-202F, METHOD 204D COND. B
- ALTITUDE: MIL-STD-202F, METHOD 105C COND. B
- TEMPERATURE CYCLE: MIL-STD-202F, METHOD 107D COND. A

NOTE: SPECIFICATIONS WILL VARY OVER OPERATING TEMPERATURE
NOTE: THE ABOVE SPECIFICATIONS ARE SUBJECT TO CHANGE OR REVISION

ALL DIMENSIONS ARE IN INCHES
TOLERANCES:
X.XX \pm 0.020
X.XXX \pm 0.010

REVISIONS				
ZONE	REV.	DESCRIPTION	DATE	APPROVED
		ORIGINAL RELEASE JOB# 404066N	5/19/04	



AMERICAN MICROWAVE CORPORATION

7311-G GROVE ROAD
FREDERICK, MARYLAND 21704 USA
TEL: 301-662-4700 FAX: 301-662-4938
WEBSITE: www.americanmicrowavecorp.com
E-MAIL: sales@americanmicrowavecorp.com
ISO 9001:2000 CERTIFIED



APPROVALS		DATE	TITLE		
DRAWN	<i>JDJ</i>	5/19/04	PRODUCT FEATURE SWN-218-2DR-STANDARD OPTION: 905F, HISO		
CHECKED	<i>JA</i>	8/31/04	9.5 GHz \pm 200 MHz, SINGLE POLE TWO THROW SWITCH		
ISSUED			SIZE	FSCM NO.	DWG NO.
			A	60483	100-6987
			SCALE	N:S	SHEET 1 OF 3